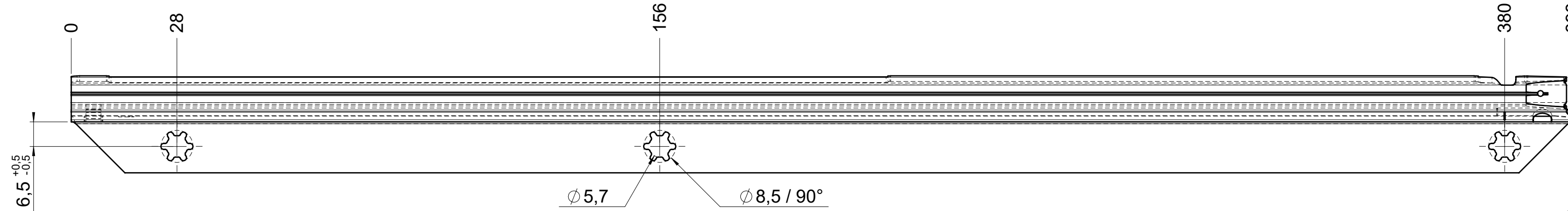
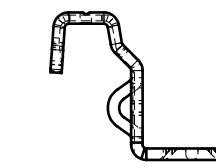
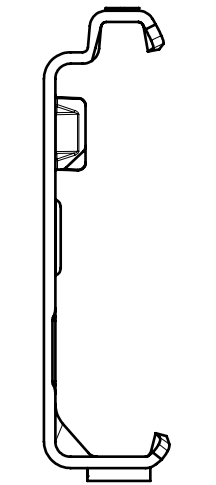
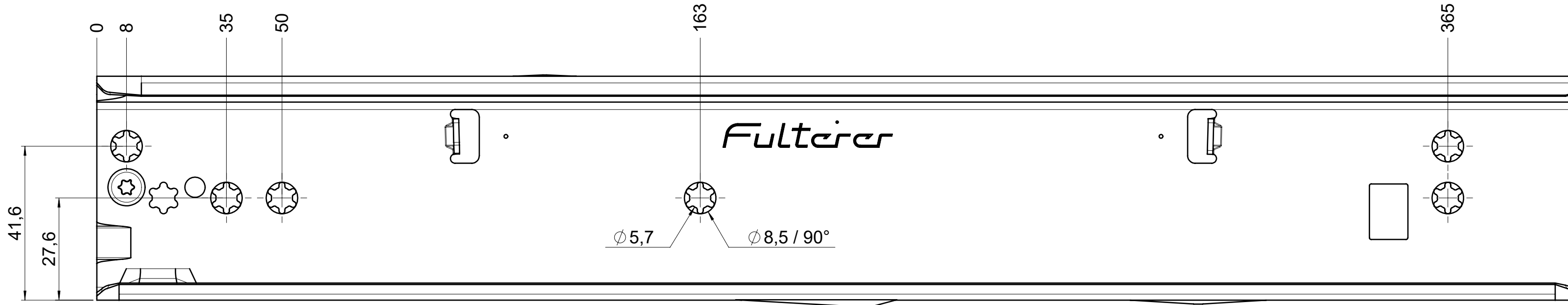
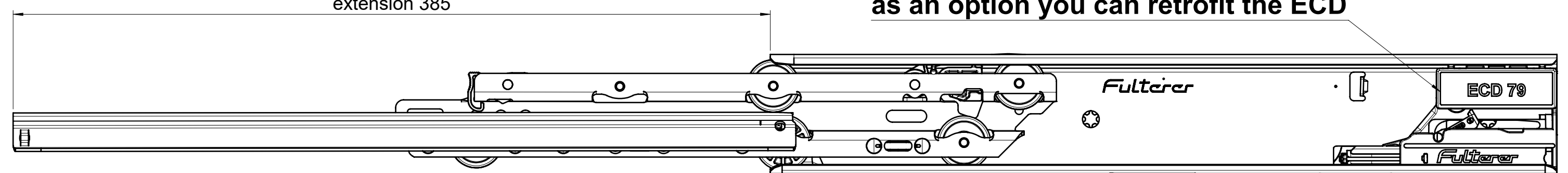


drawn on the left (mirrored on the right)

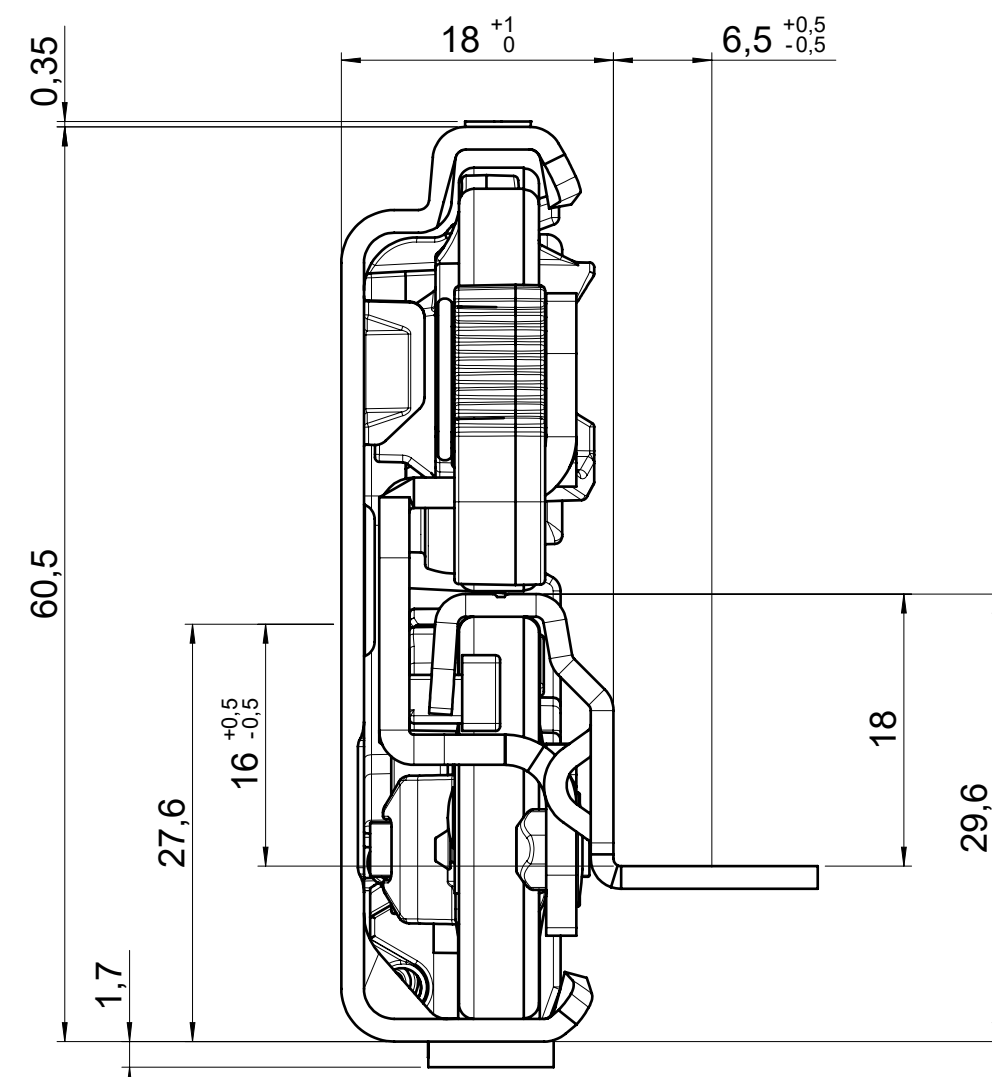
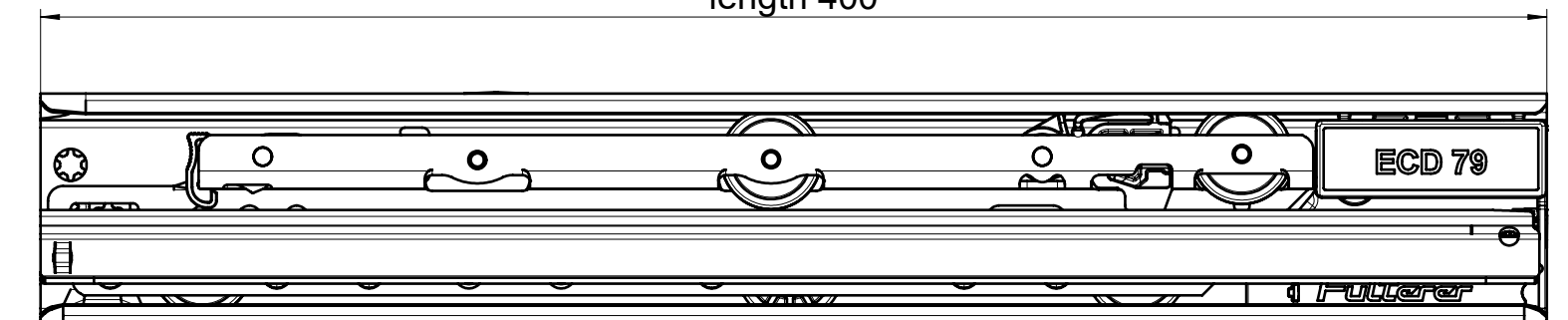


extension 385

as an option you can retrofit the ECD



length 400



final approval

customer name:

signed by:

date:

all dimensions in mm			
missing dimensions see 3D \Rightarrow = theor. intersection		scale: 1:1	surface/color:
prototype approval		date:	material: (technical requirements Fulterer) CS
		name:	description: FR 796-400 CS EN (mm) progressive-action full-extension drawerslide / bottom mount
 Fulterer AG & Co KG A-6890 Lustenau Fulterer AG CH-9430 St. Margrethen		drawn: 2022-11-24 EX	drawing number: CS# 796.400-GA.0000
		proven: 2024-01-16 RK	replaces the edition:
ind. changes	date	name	covered according to DIN ISO 16016