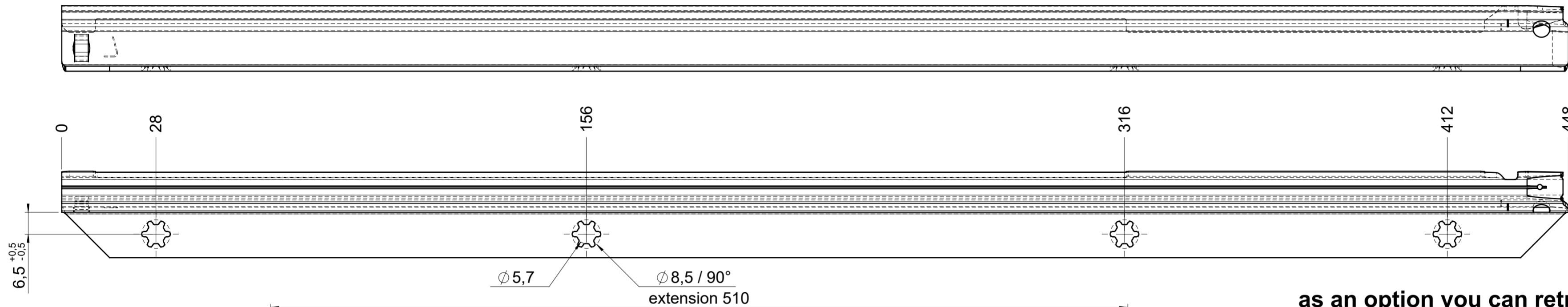
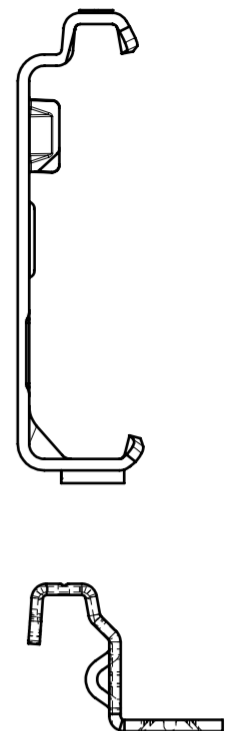
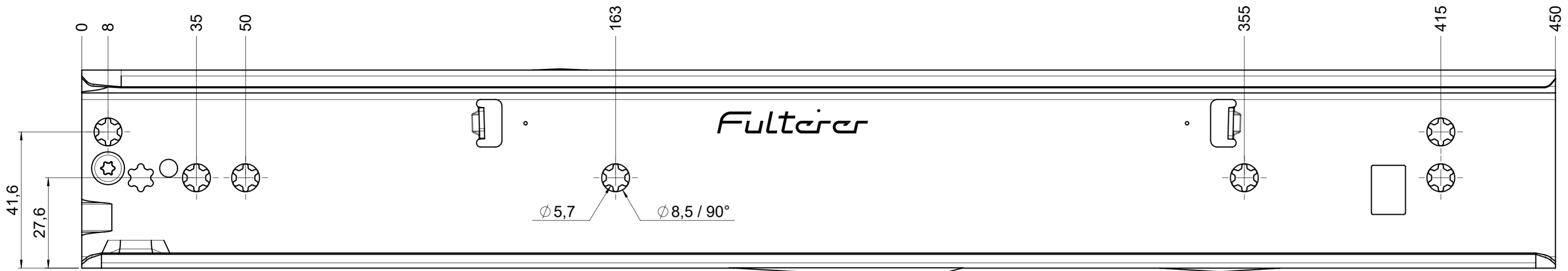
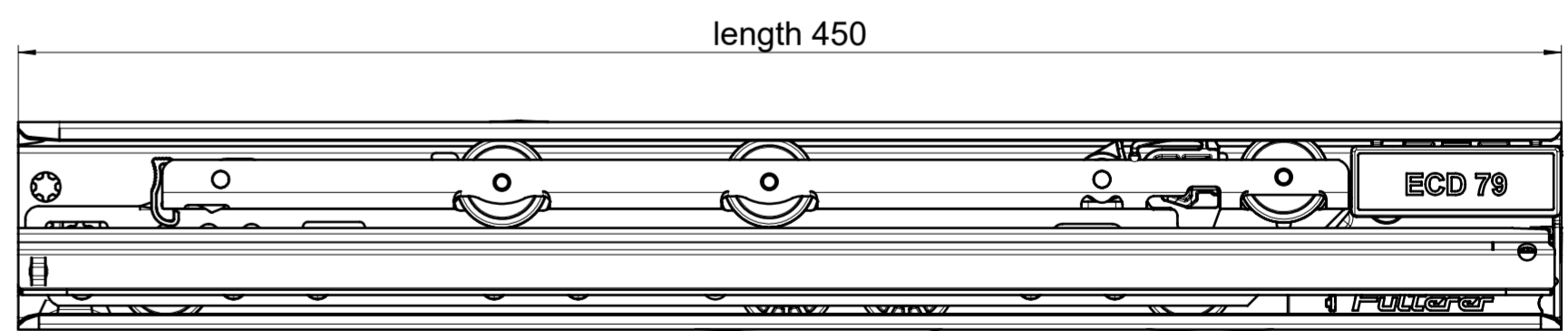
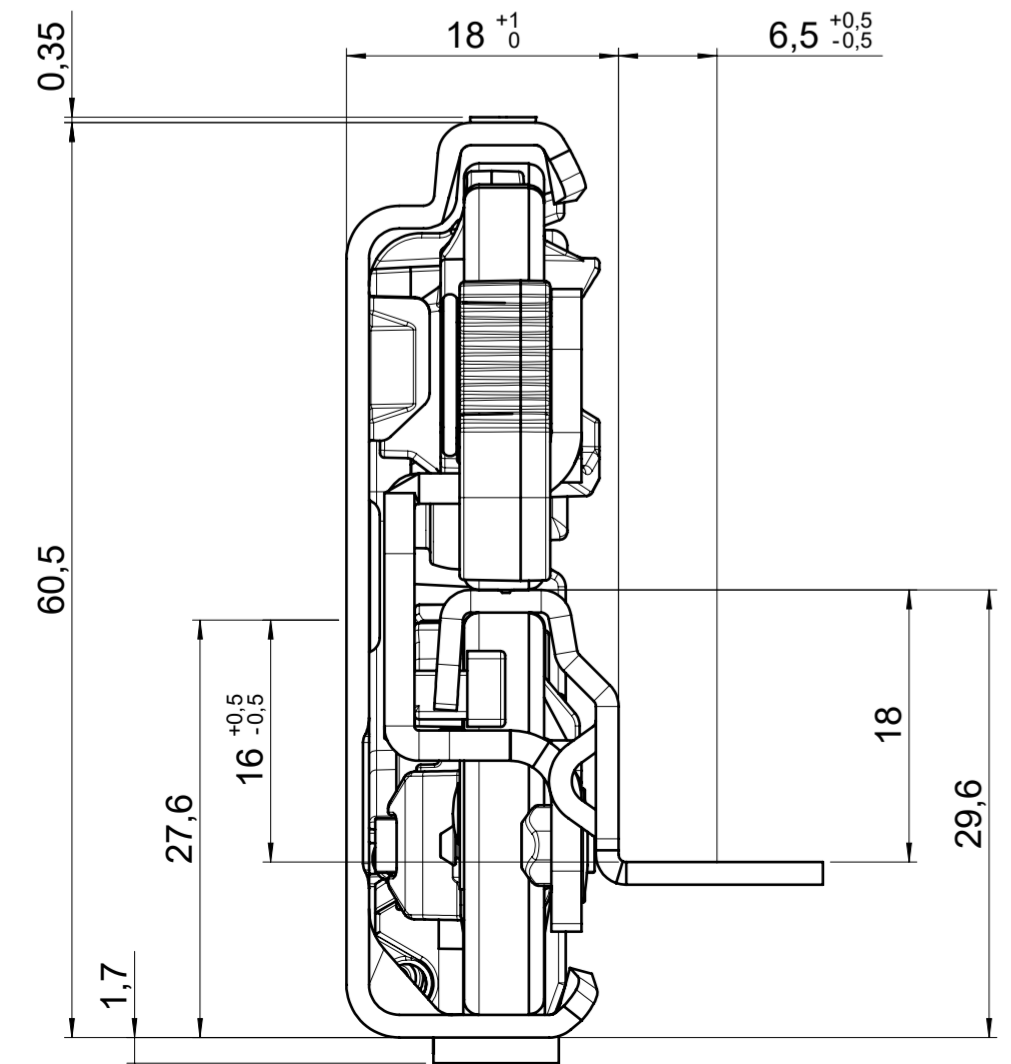
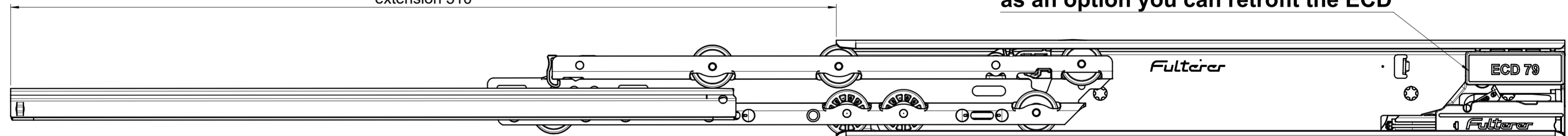


drawn on the left (mirrored on the right)



as an option you can retrofit the ECD



**final approval**

customer name:

signed by:

date:

all dimensions in mm			
missing dimensions see 3D $\Rightarrow \ominus$ = theor. intersection	scale: <b>1:1</b>	surface/color:	material: <b>CS</b> (technical requirements Fulterer)
<b>prototype approval</b>	drawn: 2024-01-15 RK	date: 2024-01-15	description: <b>FR 796-450 CS EN (mm)</b> progressive-action over-extension drawerslide / bottom mount
	proven: 2024-01-15 RK		
		drawing number: <b>CS# 796.450-GA.L500</b>	
Fulterer AG & Co KG A-6890 Lustenau Fulterer AG CH-9430 St. Margrethen		replaces the edition:	
This drawing remains our property and may not be multiplied neither be disclosed to third parties (§§1.3 and 5 from the copyright Act (UrHG)).			covered according to DIN ISO 16016