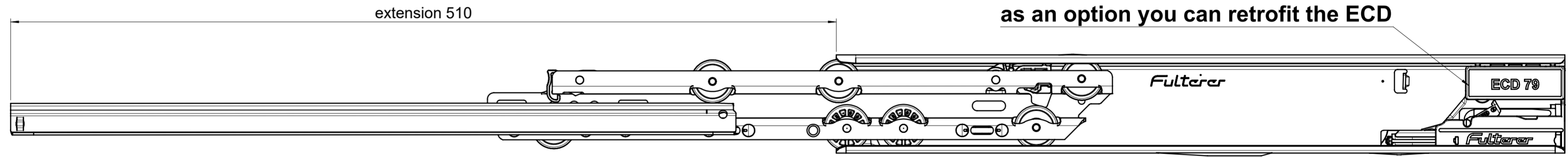
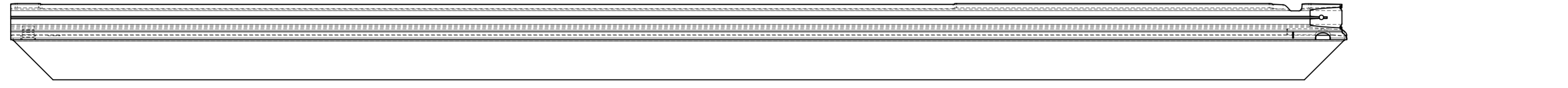
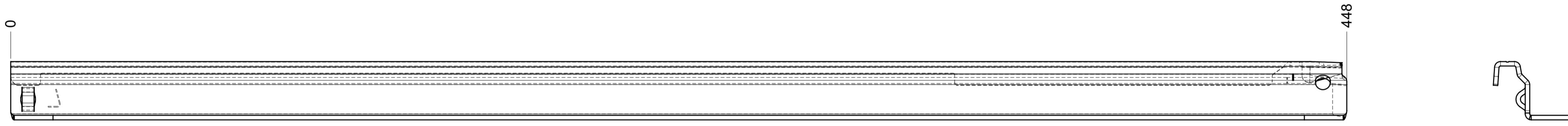
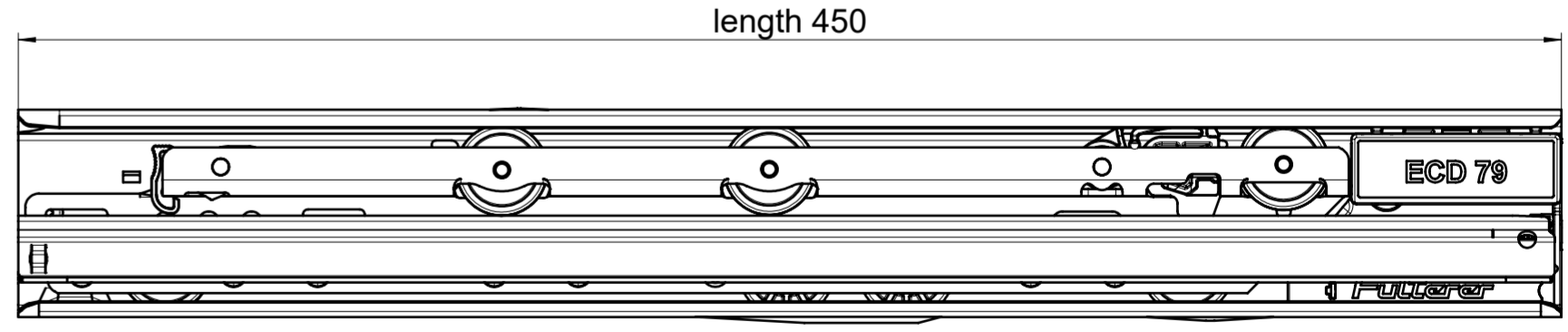
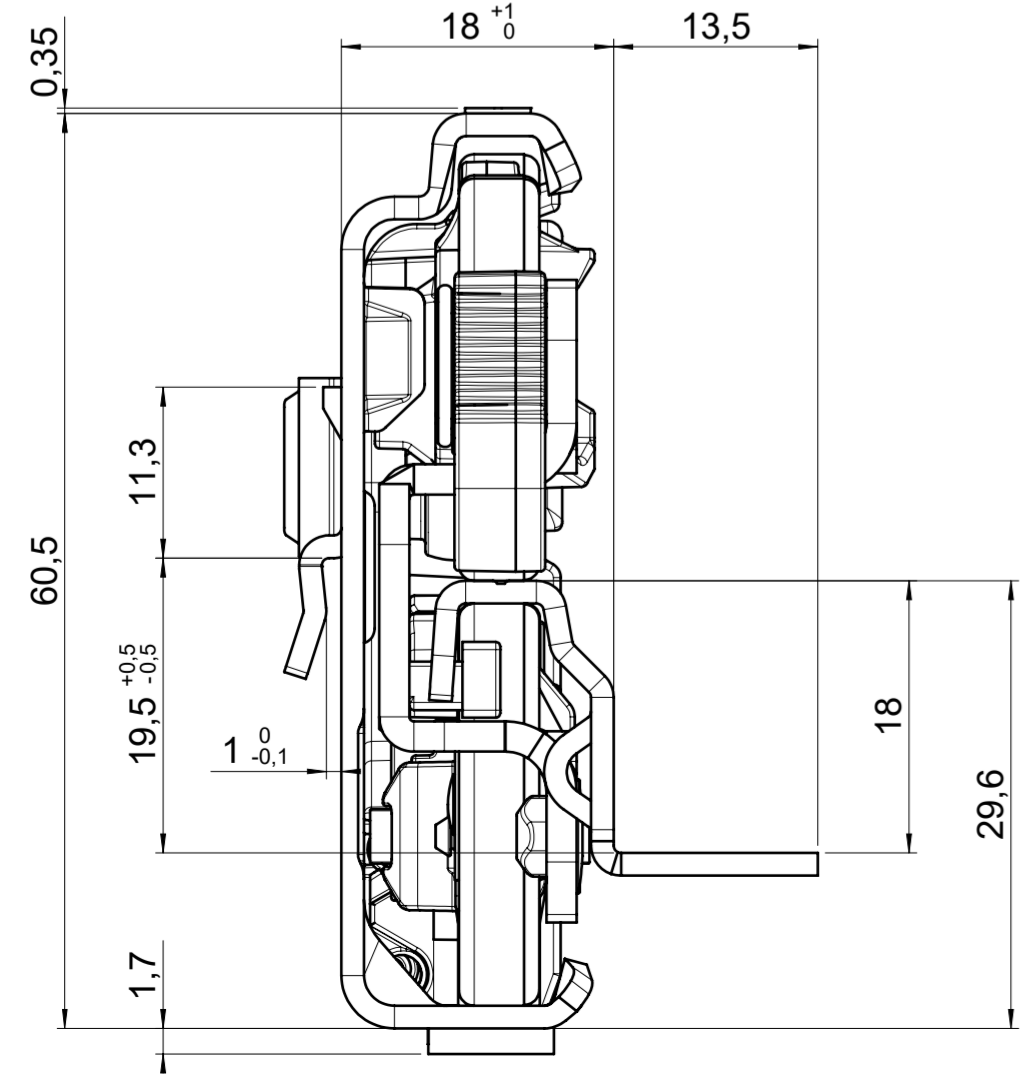


drawn on the left (mirrored on the right)



as an option you can retrofit the ECD



final approval

customer name:

signed by:

date:

all dimensions in mm			
missing dimensions see 3D ∅ = theor. intersection	scale: 1:1	surface/color:	material: CS (technical requirements Fulterer)
prototype approval	drawn	date	description: FR 796-450 CS EN (mm) progressive-action over-extension drawerslide / bottom mount
	proven		
			drawing number: CS# 796.450-GA.L525
ind. changes	date	name	replaces the edition:
<small>Fulterer AG & Co KG A-6890 Lustenau Fulterer AG CH-9430 St. Margrethen</small>			
<small>This drawing remains our property and may not be multiplied neither be disclosed to third parties (§§1.3 and 5 from the copyright Act (UrhG)).</small>			<small>covered according to DIN ISO 16016</small>