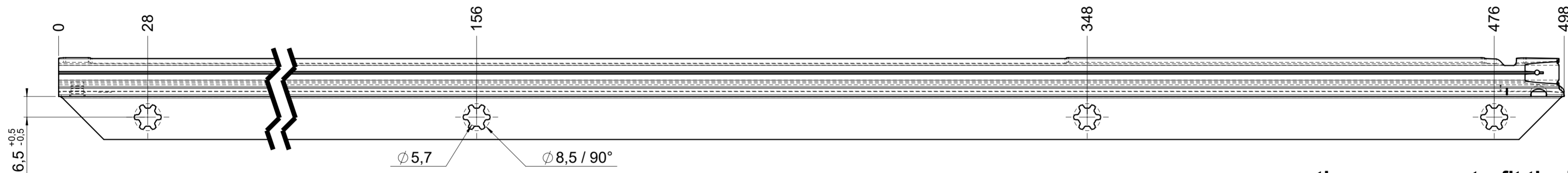
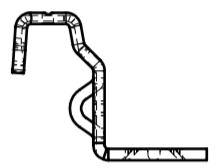
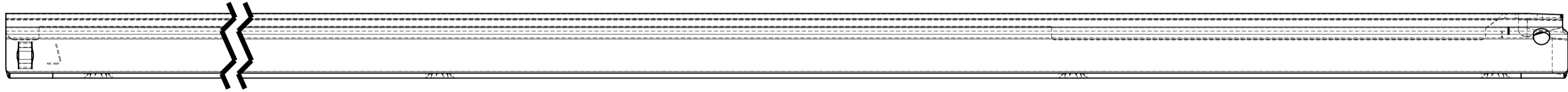
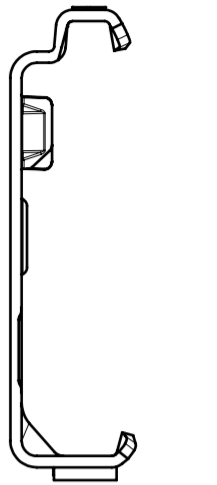
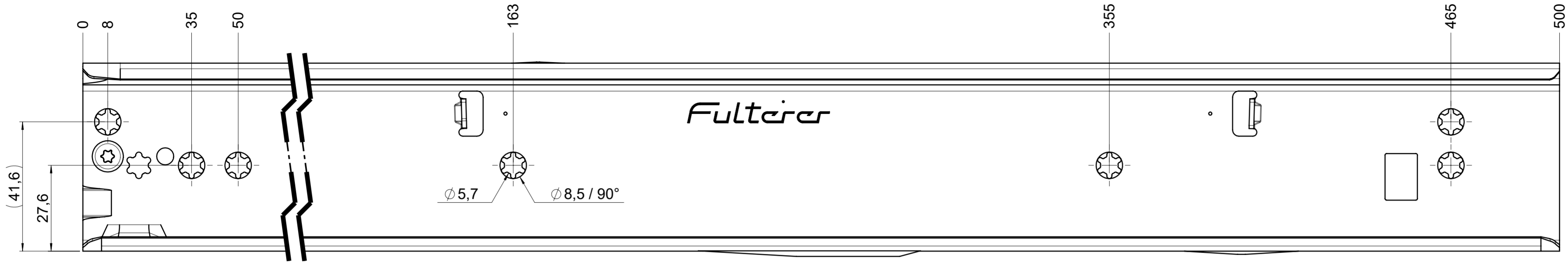
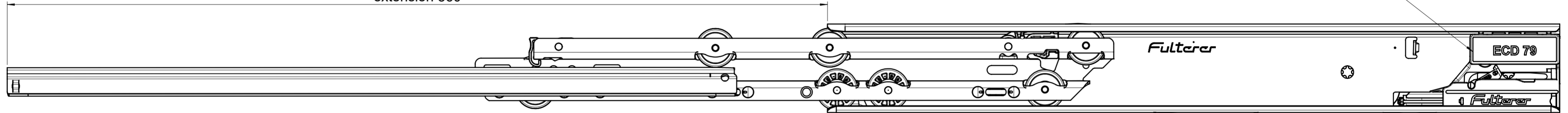


drawn on the left (mirrored on the right)

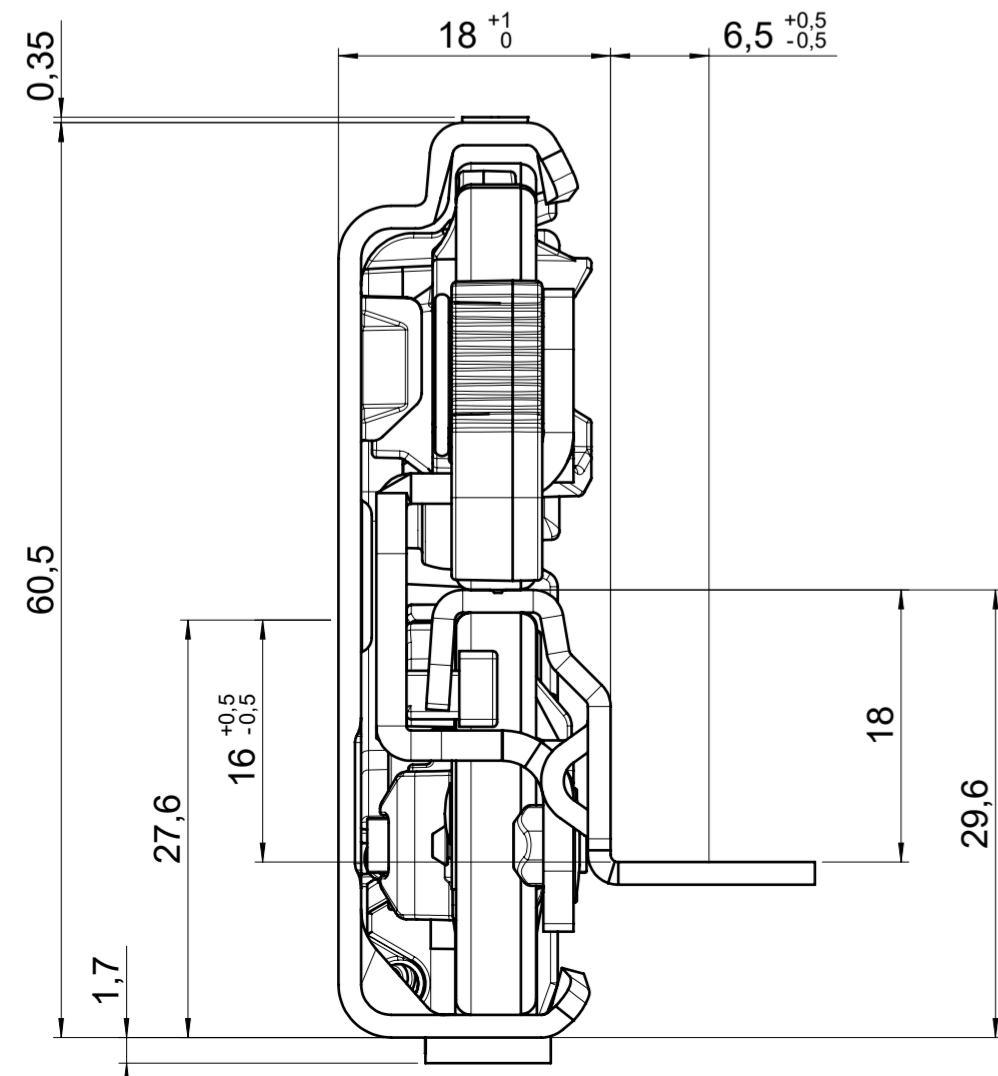


extension 560

as an option you can retrofit the ECD



length 500



final approval	customer name:
	signed by:
	date:

all dimensions in mm					
missing dimensions see 3D ∅ = theor. intersection		scale: 1:1	surface/color:	material: (technical requirements Fulterer) CS	
prototype approval		drawn	date	name	description: FR 796-500 CS EN (mm) progressive-action over-extension drawerslide / bottom mount
		proven	2024-01-15	RK	
 Fulterer AG & Co KG A-6890 Lustenau Fulterer AG CH-9430 St. Margrethen		drawing number:		CS# 796.500-GA.L500	
		replaces the edition:			
ind. changes	date	name			