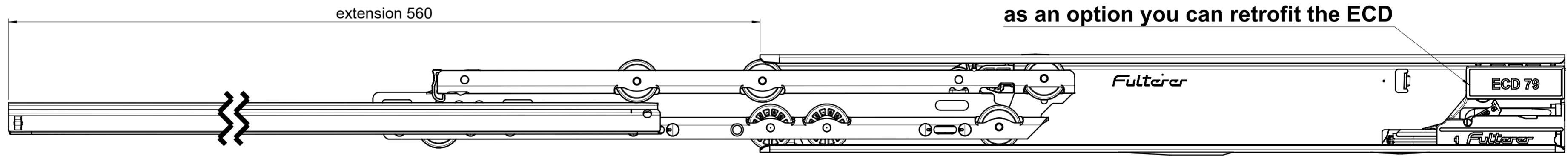
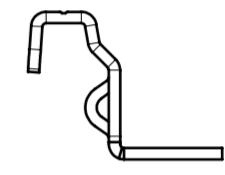
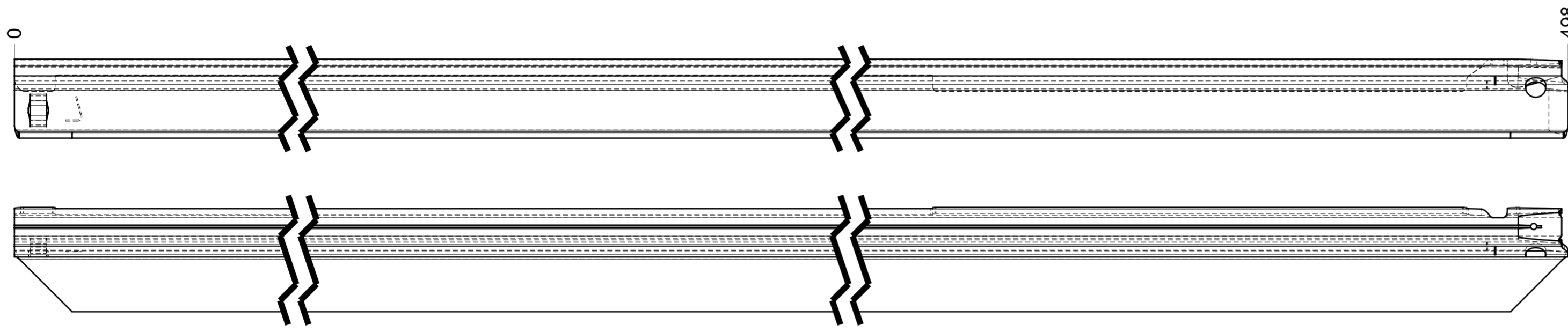
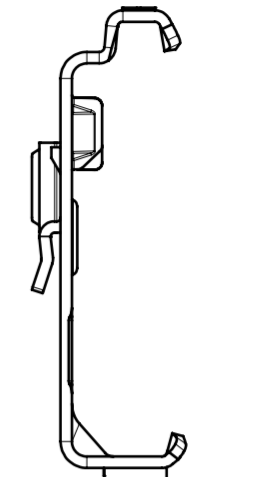
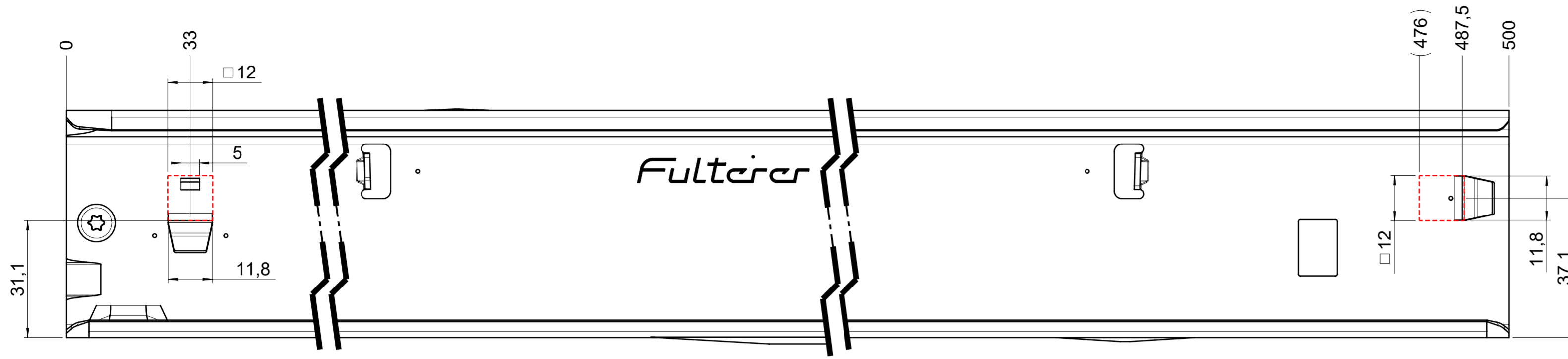
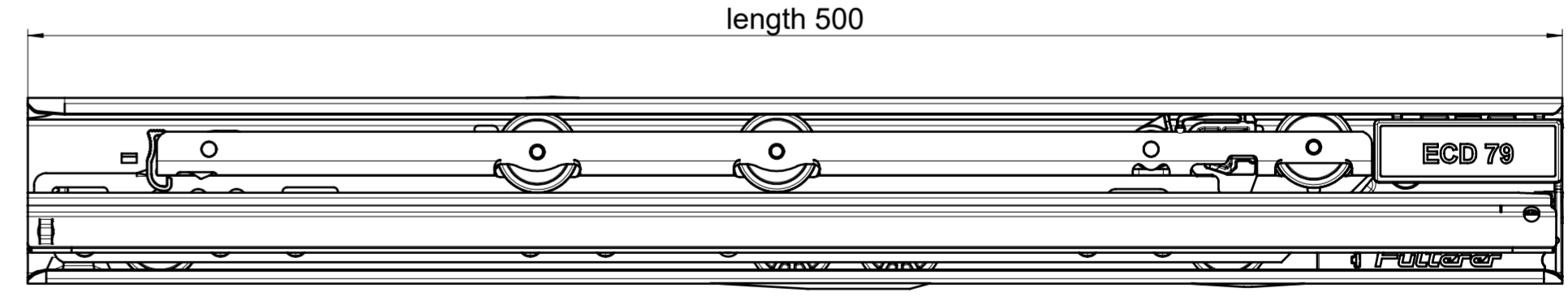
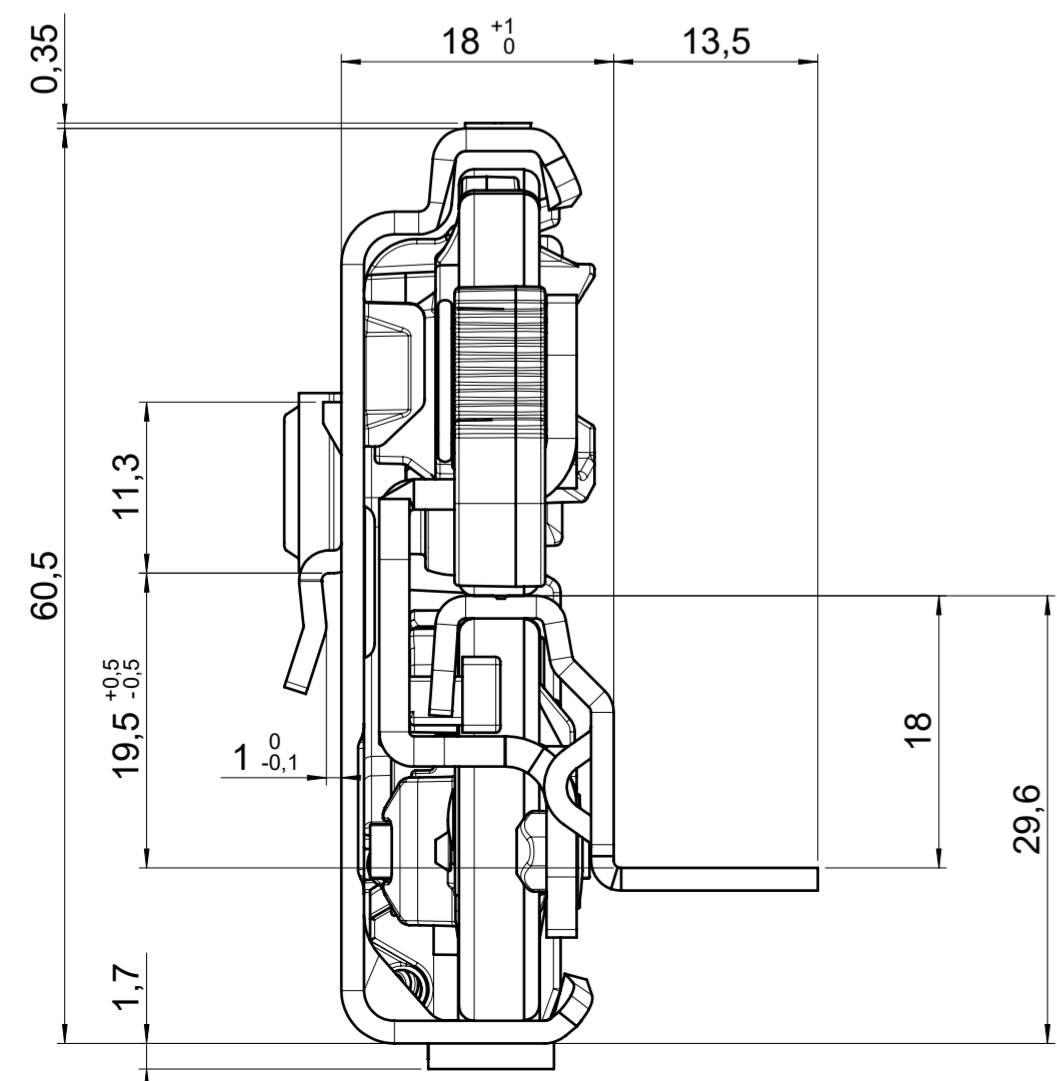


drawn on the left (mirrored on the right)



as an option you can retrofit the ECD



final approval

customer name:

signed by:

date:

all dimensions in mm			
missing dimensions see 3D = theor. intersection	scale: 1:1	surface/color:	material: CS (technical requirements Fulterer)
prototype approval	drawn: 2024-01-15 RK	date: 2024-01-15	name: RK
	proven: 2024-01-15 RK		
<p>Fulterer AG & Co KG A-6890 Lustenau Fulterer AG CH-9430 St. Margrethen</p>			description: FR 796-500 CS EN (mm) progressive-action over-extension drawerslide / bottom mount drawing number: CS# 796.500-GA.L525 replaces the edition:
ind. changes	date	name	covered according to DIN ISO 16016