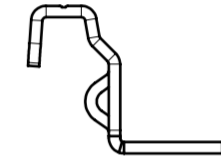
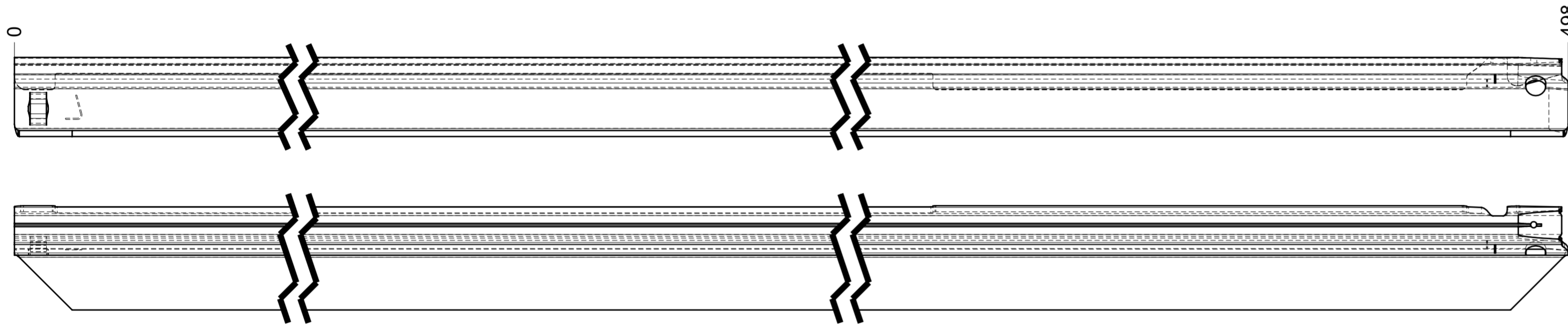
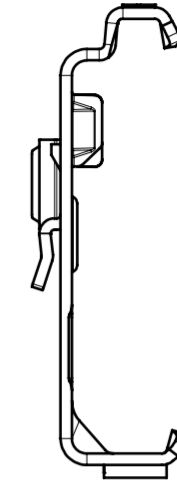
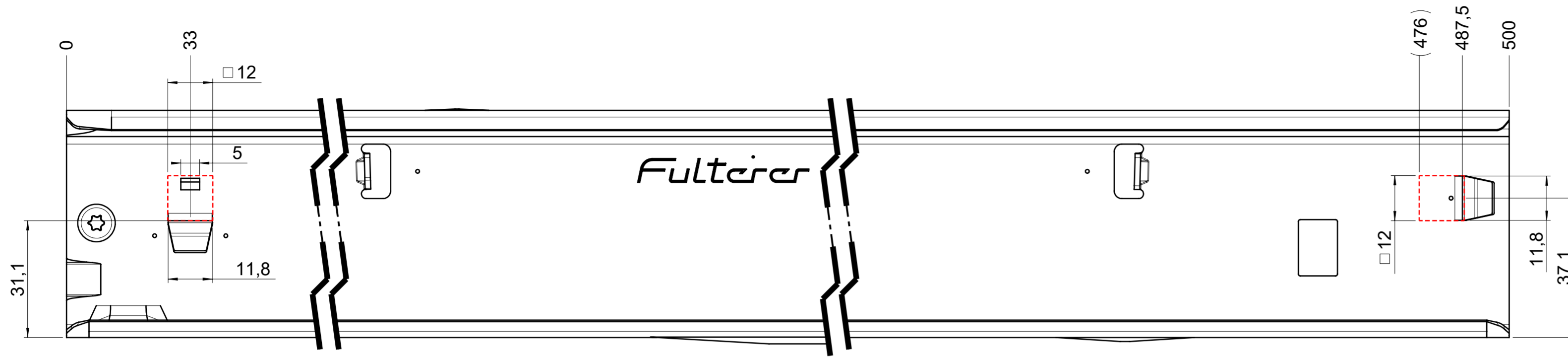
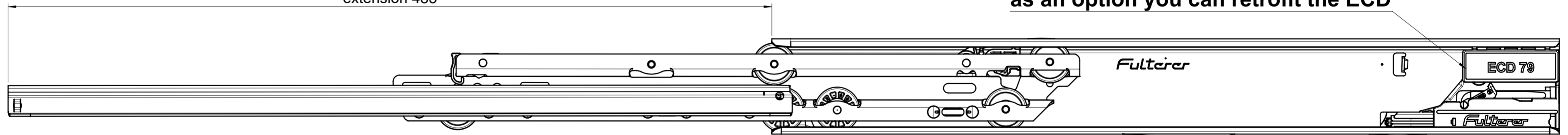


drawn on the left (mirrored on the right)

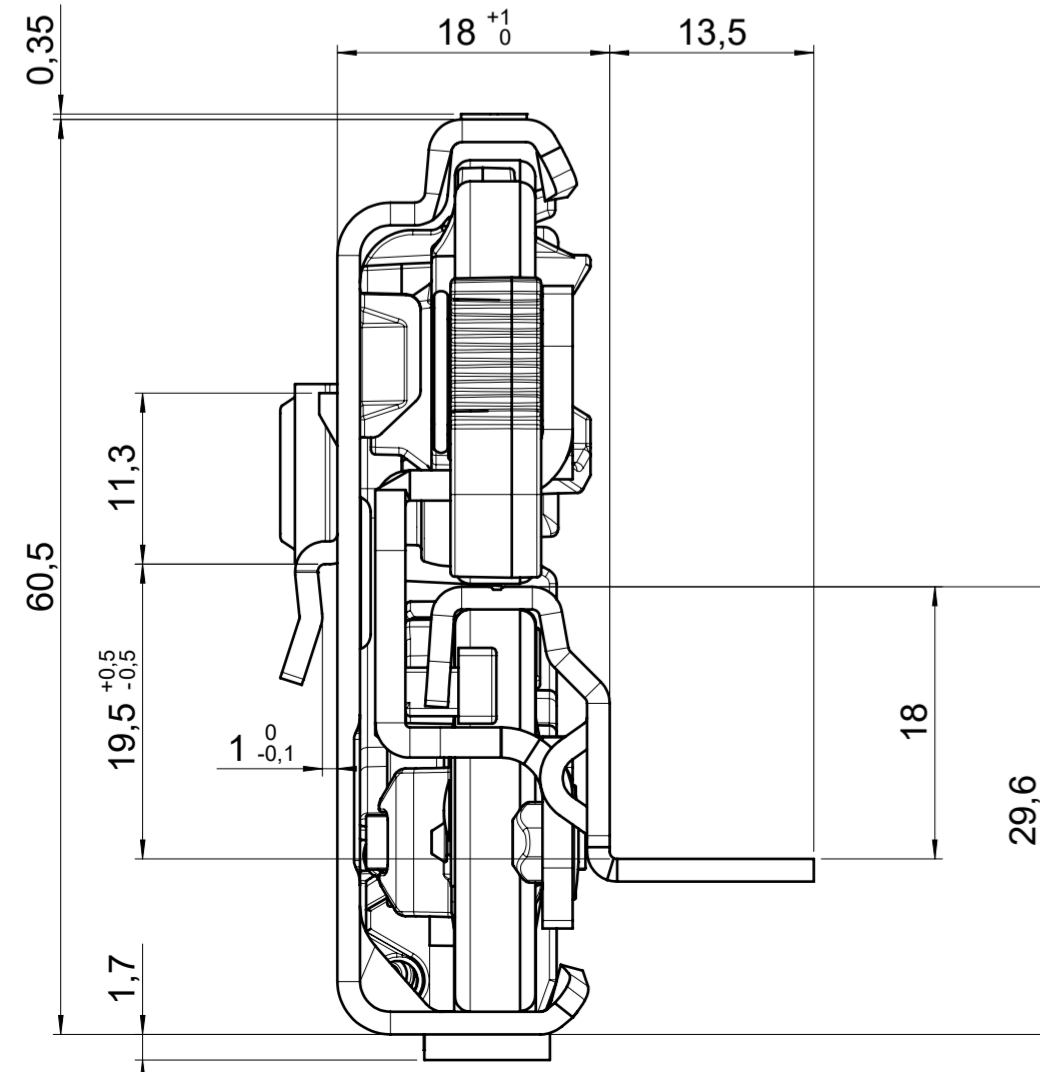
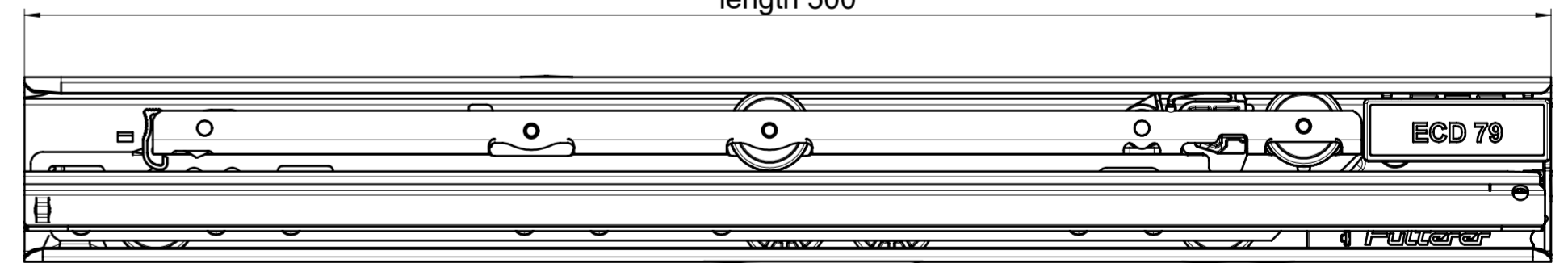


extension 485

as an option you can retrofit the ECD



length 500



**final approval**

customer name:

signed by:

date:

all dimensions in mm			
missing dimensions see 3D = theor. intersection	scale: 1:1	surface/color:	material: CS (technical requirements Fulterer)
<b>prototype approval</b>	drawn: 2024-01-16 RK	date: 2024-01-16	name: RK
	proven: 2024-01-16 RK		
		description: <b>FR 796-500 CS EN (mm)</b> progressive-action full-extension drawerslide / bottom mount	
Fulterer AG & Co KG A-6890 Lustenau		drawing number: <b>CS# 796.500-GA.L526</b>	
Fulterer AG CH-9430 St. Margrethen		replaces the edition:	
ind. changes:			A2