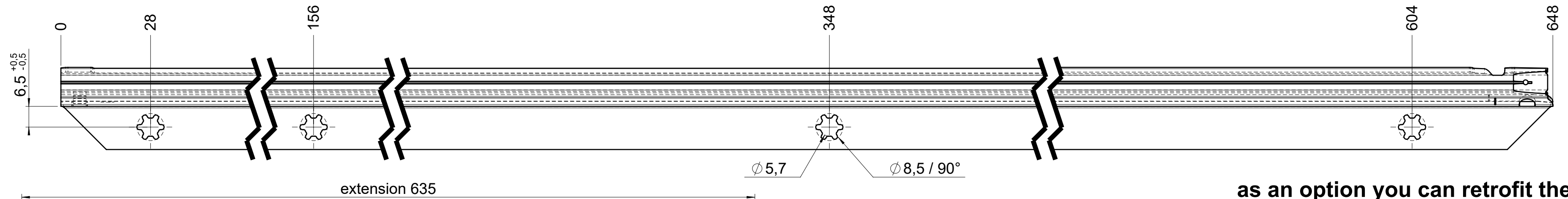
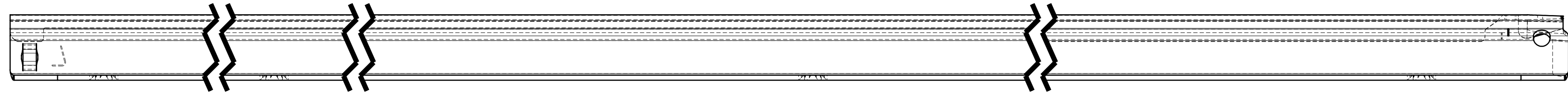
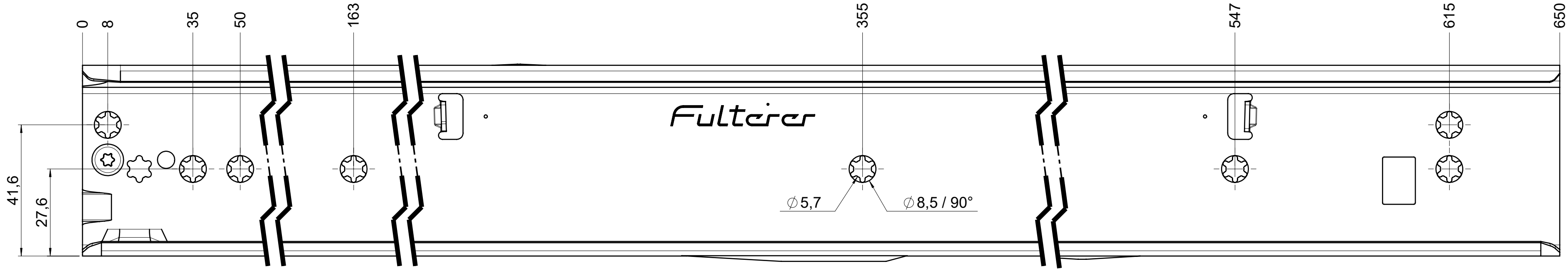
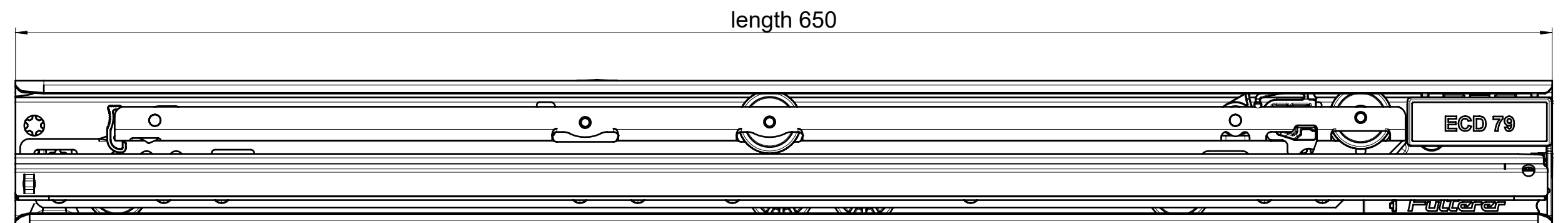
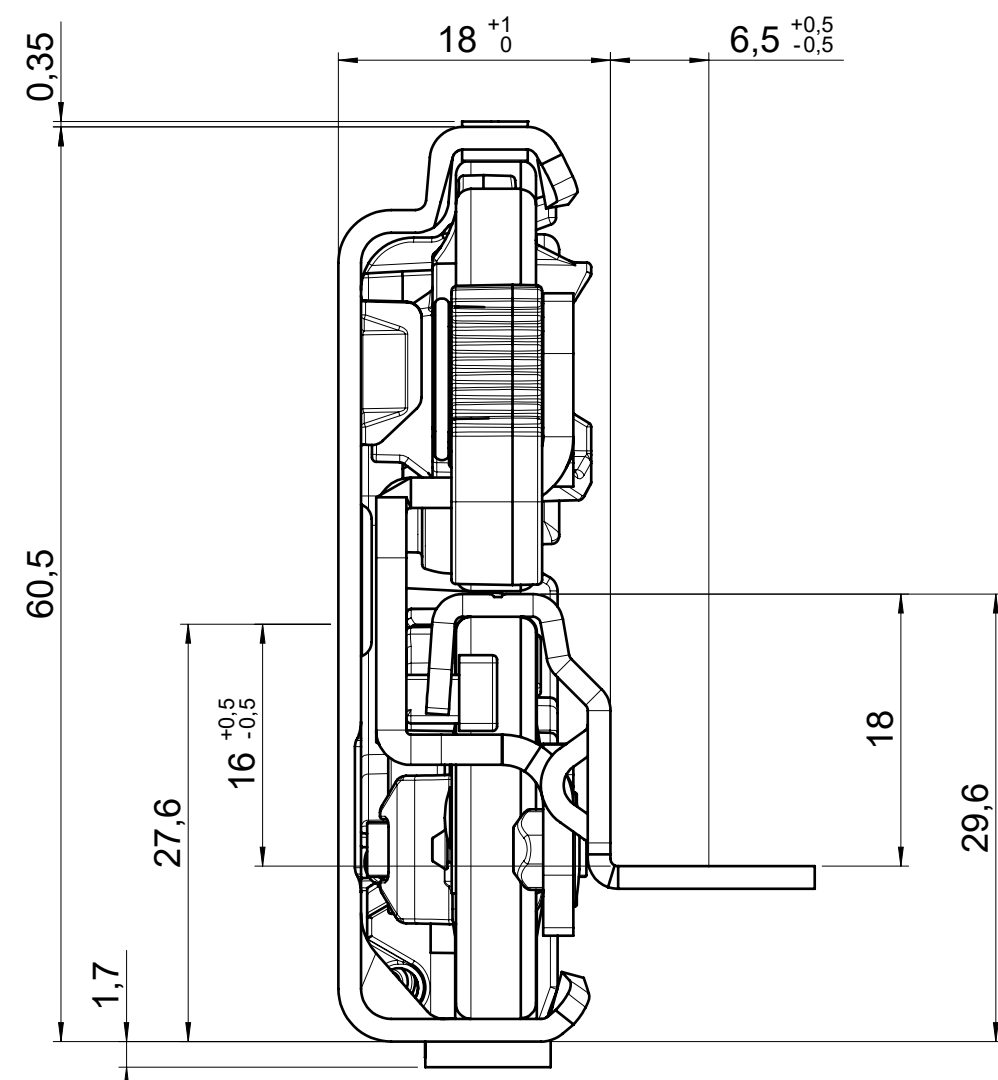
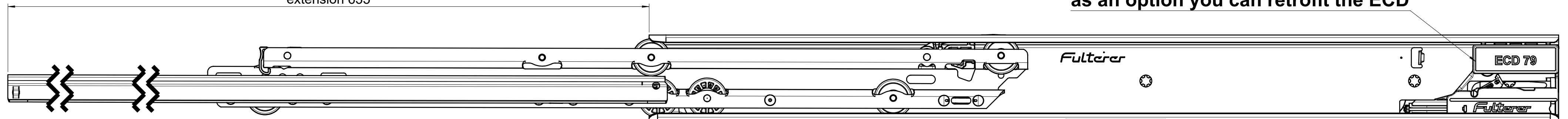


drawn on the left (mirrored on the right)



as an option you can retrofit the ECD



final approval

customer name:

signed by:

date:

all dimensions in mm																		
missing dimensions see 3D $\Rightarrow \ominus$ = theor. intersection	DIN ISO 128-30	scale: 1:1	surface/color:															
prototype approval		material: CS (technical requirements Fulterer)	description: FR 796-650 CS EN (mm) progressive-action full-extension drawerslide / bottom mount															
<table border="1"> <tr> <th>drawn</th> <th>date</th> <th>name</th> </tr> <tr> <td>2022-11-24</td> <td>EX</td> <td></td> </tr> <tr> <th>proven</th> <th>date</th> <th>name</th> </tr> <tr> <td>2024-01-16</td> <td>RK</td> <td></td> </tr> </table>		drawn	date	name	2022-11-24	EX		proven	date	name	2024-01-16	RK		drawing number: CS# 796.650-GA.0000				
drawn	date	name																
2022-11-24	EX																	
proven	date	name																
2024-01-16	RK																	
<table border="1"> <tr> <th>ind. changes</th> <th>date</th> <th>name</th> </tr> <tr> <td> </td> <td> </td> <td> </td> </tr> <tr> <td> </td> <td> </td> <td> </td> </tr> <tr> <td> </td> <td> </td> <td> </td> </tr> <tr> <td> </td> <td> </td> <td> </td> </tr> </table>		ind. changes	date	name													replaces the edition: Fulterer AG & Co KG A-6890 Lustenau Fulterer AG CH-9430 St. Margrethen	
ind. changes	date	name																
This drawing remains our property and may not be multiplied neither be disclosed to third parties (§§1.3 and 5 from the copyright Act (UrhG)).			covered according to DIN ISO 16016															