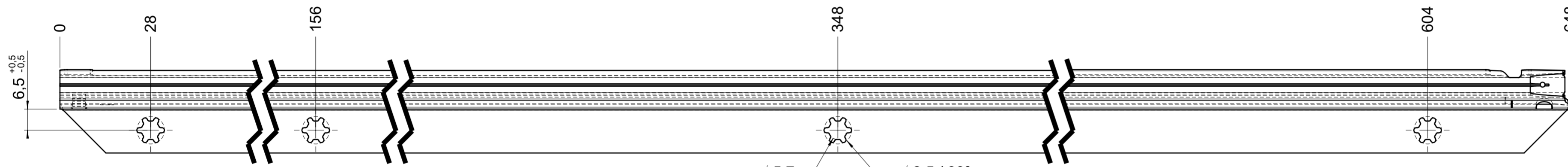
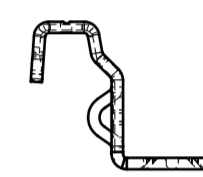
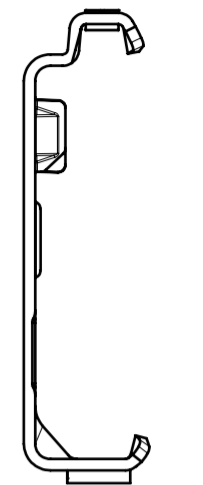
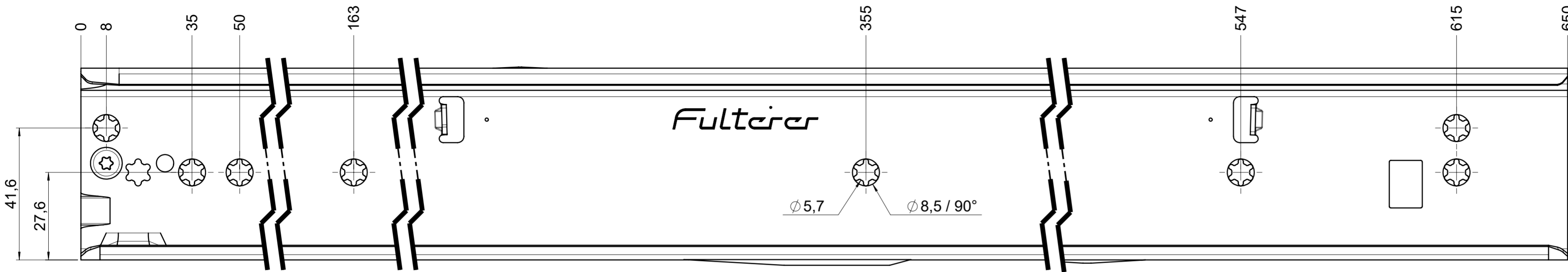
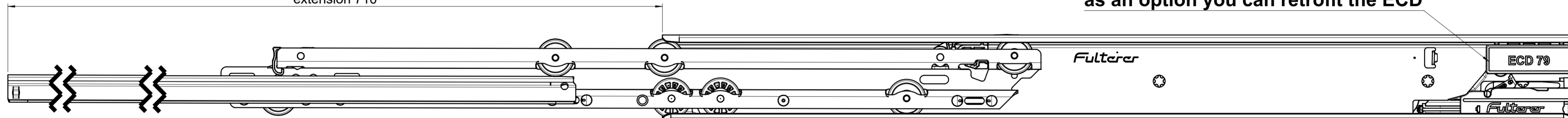


drawn on the left (mirrored on the right)

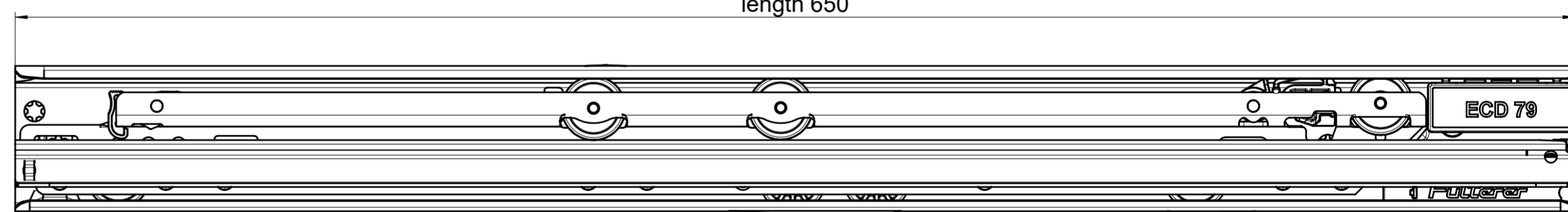
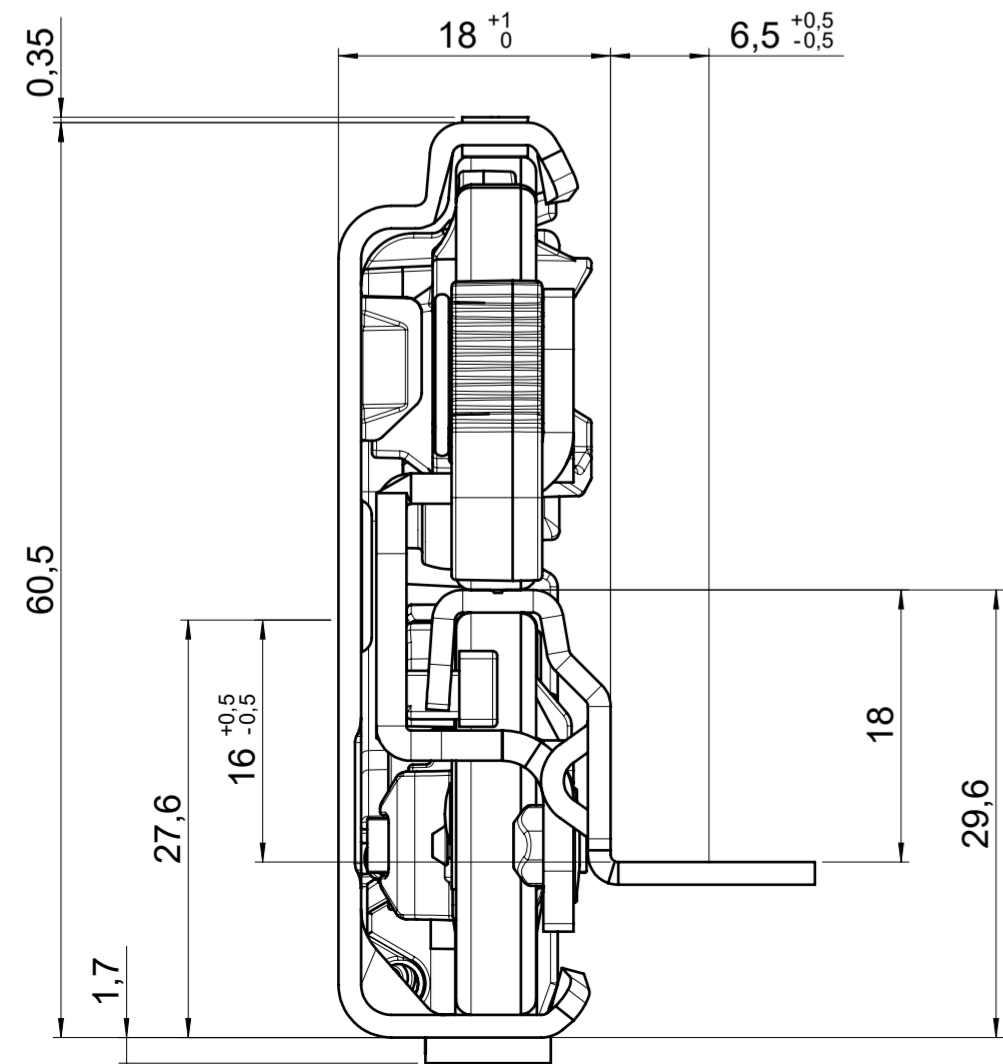


extension 710

as an option you can retrofit the ECD



length 650



final approval

customer name:

signed by:

date:

all dimensions in mm					
missing dimensions see 3D $\Rightarrow \ominus$ = theor. intersection		scale: 1:1	surface/color:	material: (technical requirements Fulterer) CS	
prototype approval		drawn	date	name	description: FR 796-650 CS EN (mm) progressive-action over-extension drawerslide / bottom mount
		proven	2024-01-15	RK	
 Fulterer AG & Co KG A-6890 Lustenau Fulterer AG CH-9430 St. Margrethen		drawing number: CS# 796.650-GA.L500		replaces the edition:	
		PDM 2021-01-15 RK ind. changes date name			
<small>This drawing remains our property and may not be multiplied neither be disclosed to third parties (§§1.3 and 5 from the copyright Act (UrH.G)). covered according to DIN ISO 16016</small>					