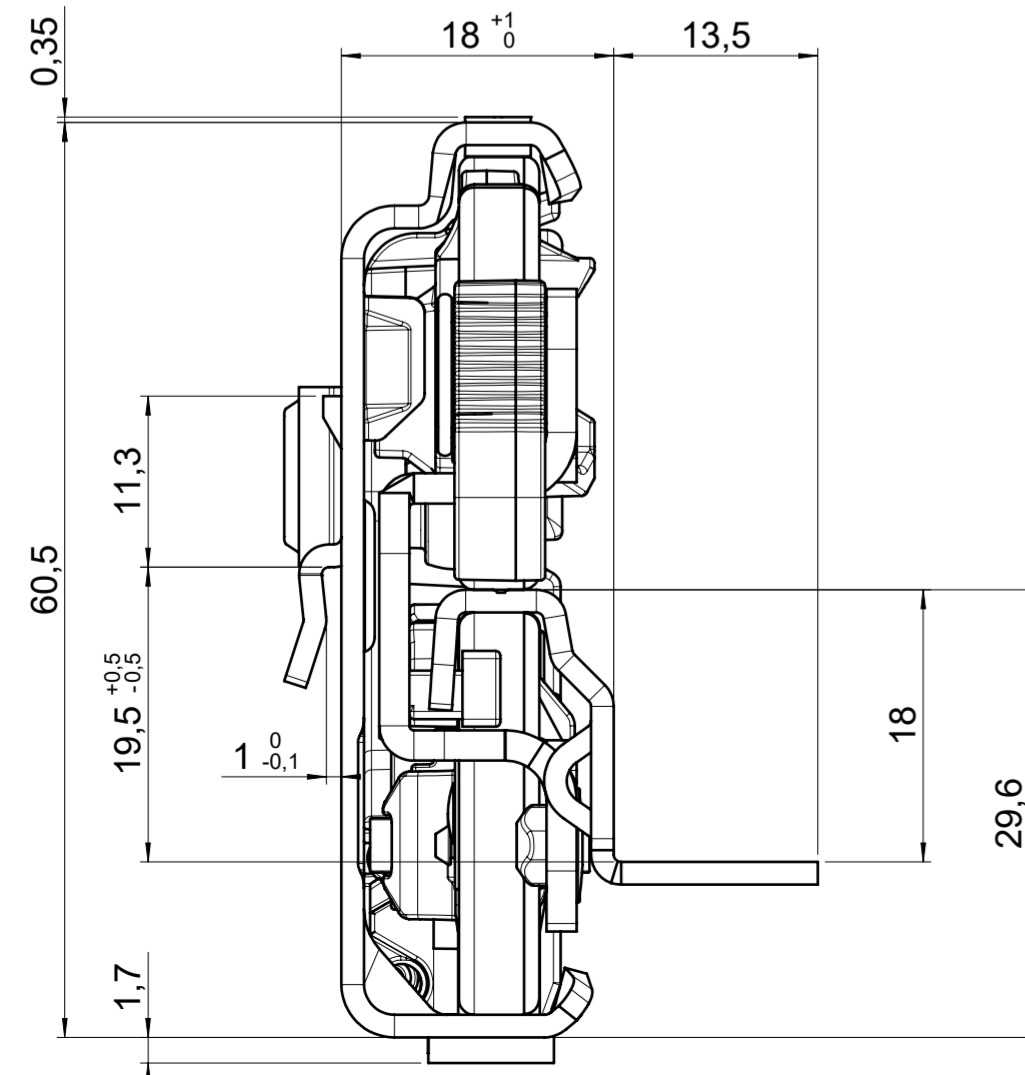
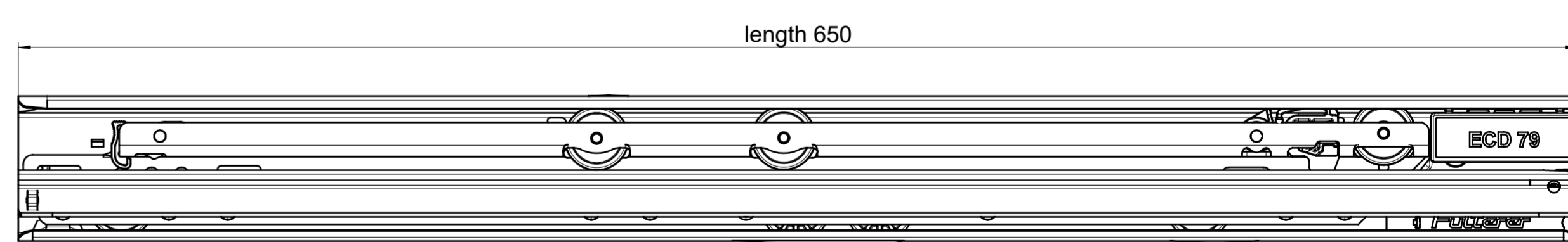
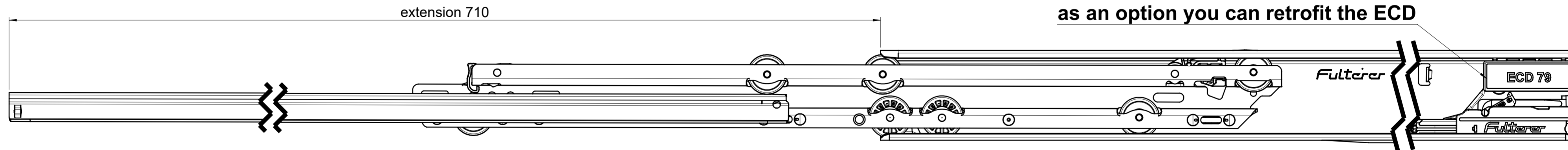
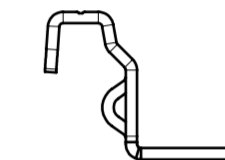
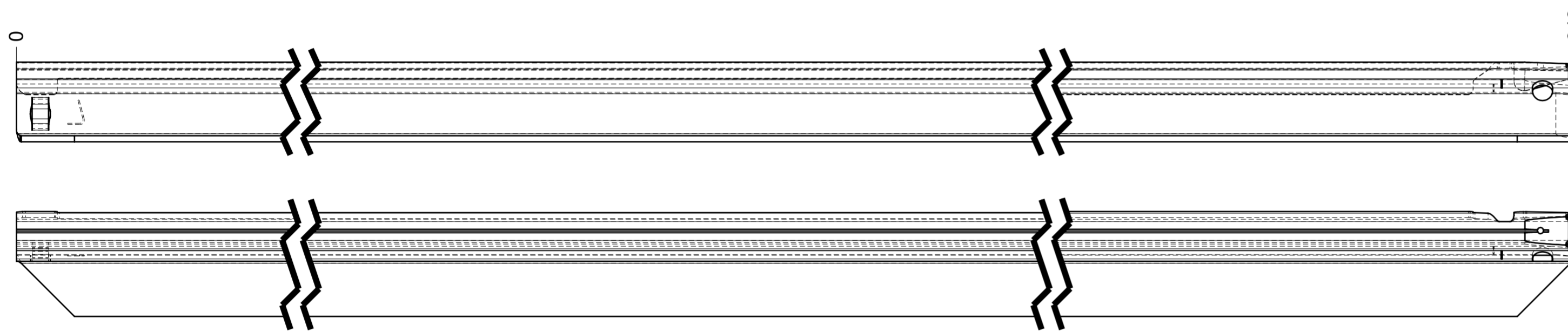
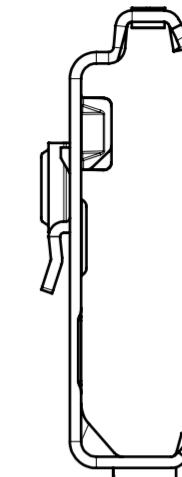
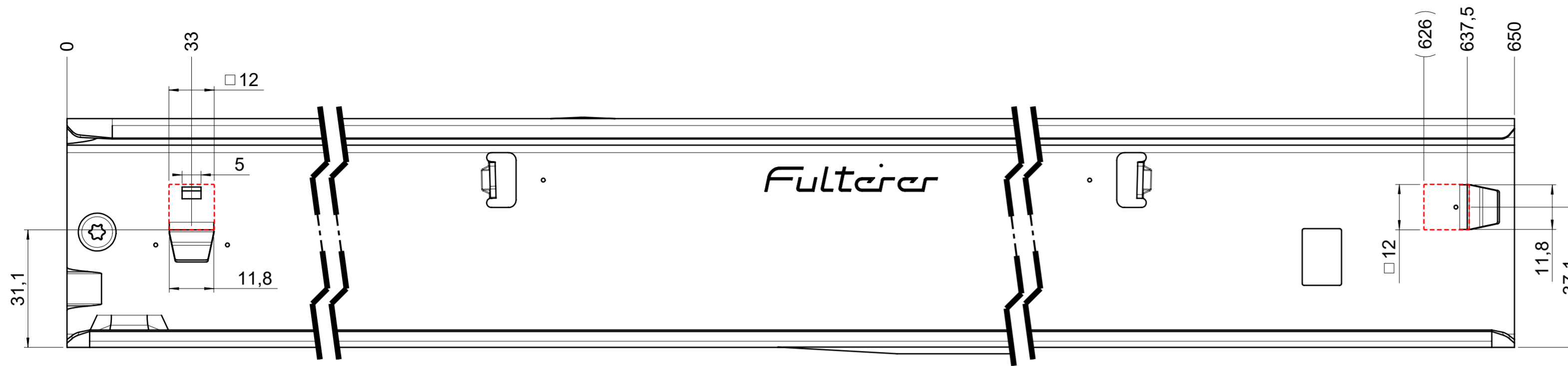


drawn on the left (mirrored on the right)



final approval

customer name:

signed by:

date:

all dimensions in mm			
missing dimensions see 3D ∅ = theor. intersection	scale: 1:1	surface/color:	material: CS (technical requirements Fulterer)
prototype approval	drawn 2024-01-15 RK	date 2024-01-15	name RK
	description: FR 796-650 CS EN (mm) progressive-action over-extension drawerslide / bottom mount		
drawing number: CS# 796.650-GA.L525			replaces the edition:
Fulterer AG & Co KG A-6890 Lustenau Fulterer AG CH-9430 St. Margrethen			
ind. changes	date	name	
This drawing remains our property and may not be multiplied neither be disclosed to third parties (§§1.3 and 5 from the copyright Act (UrHG)).			covered according to DIN ISO 16016