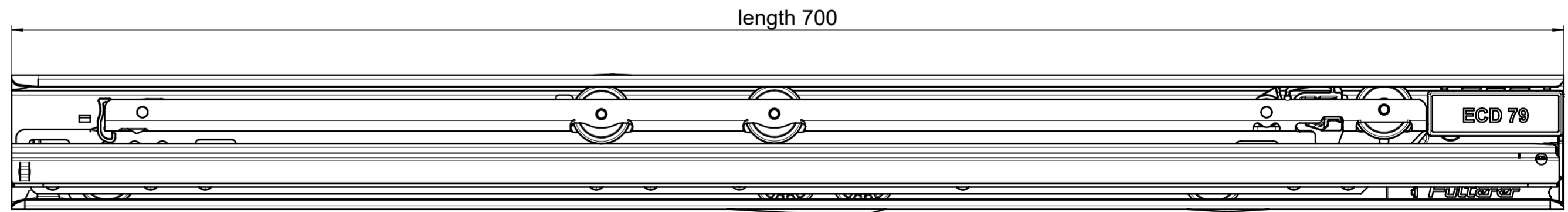
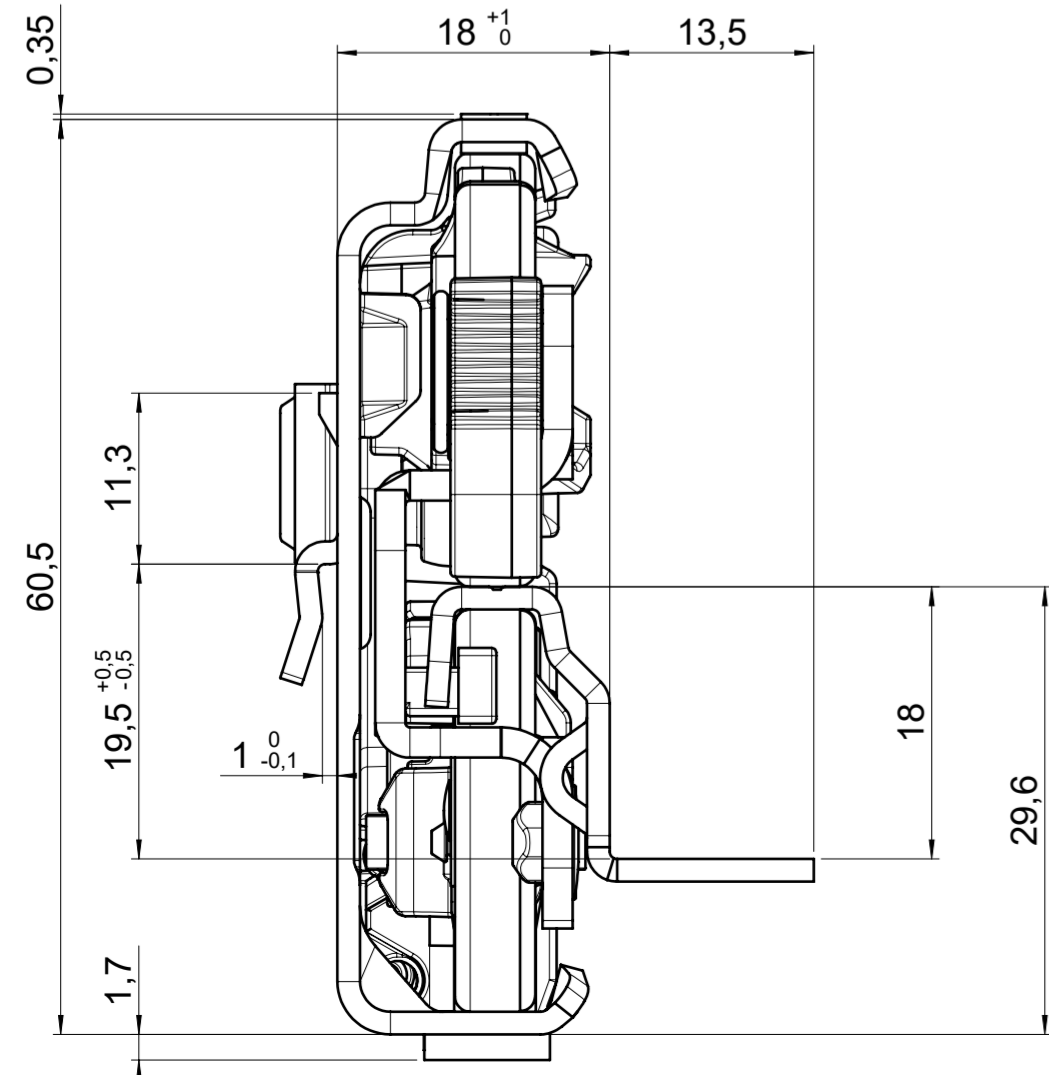
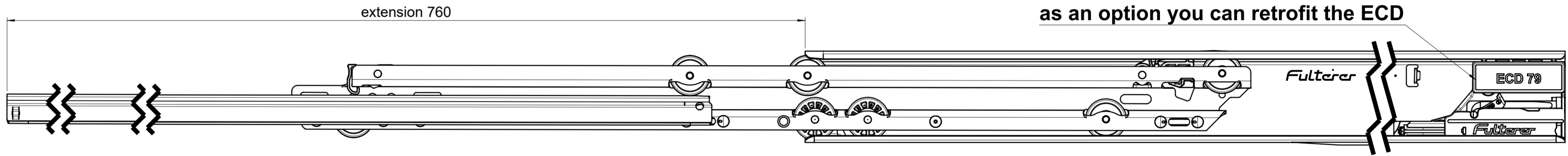
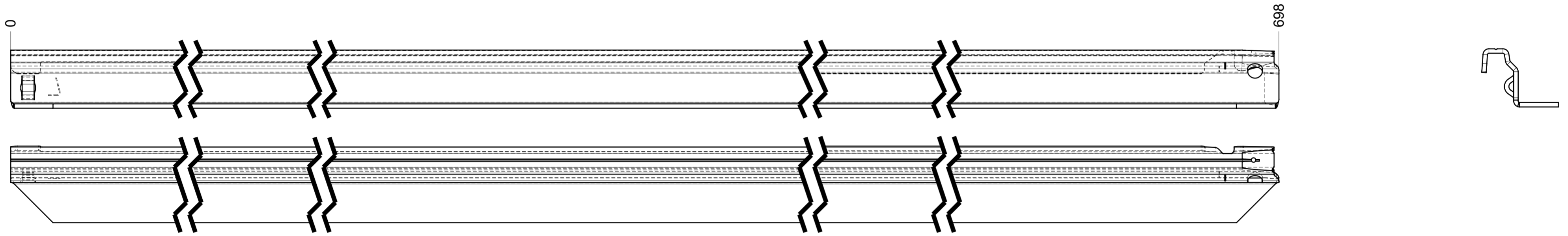
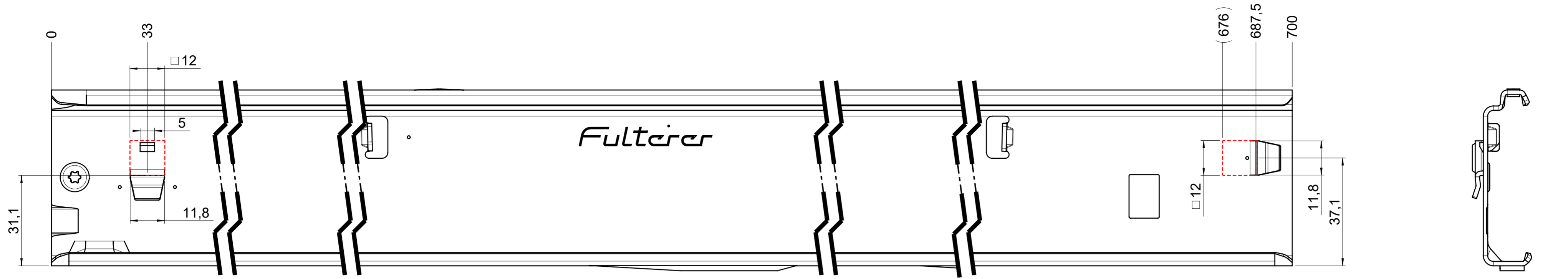


drawn on the left (mirrored on the right)




final approval

customer name:

signed by:

date:

all dimensions in mm			
missing dimensions see 3D ∅ = theor. intersection	scale: 1:1	surface/color:	material: CS (technical requirements Fulterer)
prototype approval	drawn: 2024-01-15 RK	date: 2024-01-15	name: RK
	proven: 2024-01-15 RK		
 Fulterer AG & Co KG A-6890 Lustenau Fulterer AG CH-9430 St. Margrethen			description: FR 796-700 CS EN (mm) progressive-action over-extension drawerslide / bottom mount drawing number: CS# 796.700-GA.L525 replaces the edition:
ind. changes	date	name	