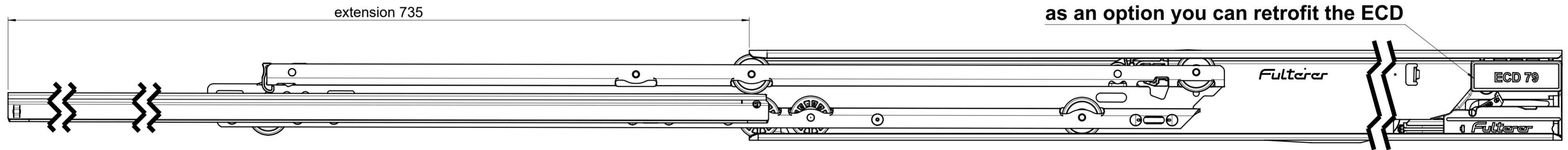
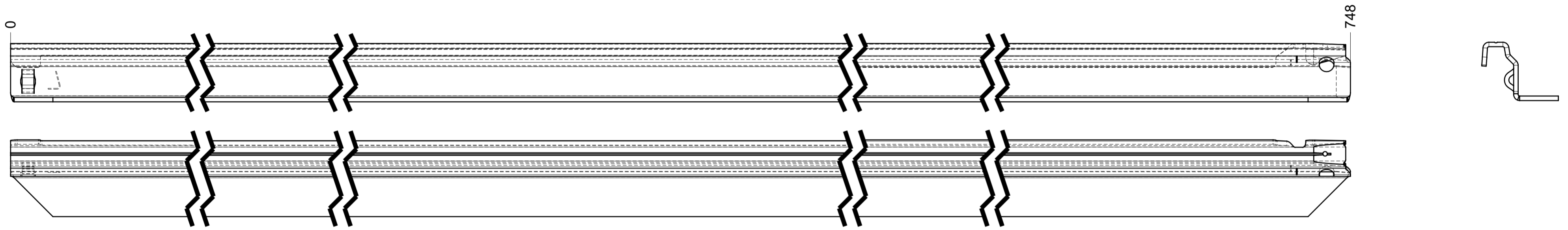
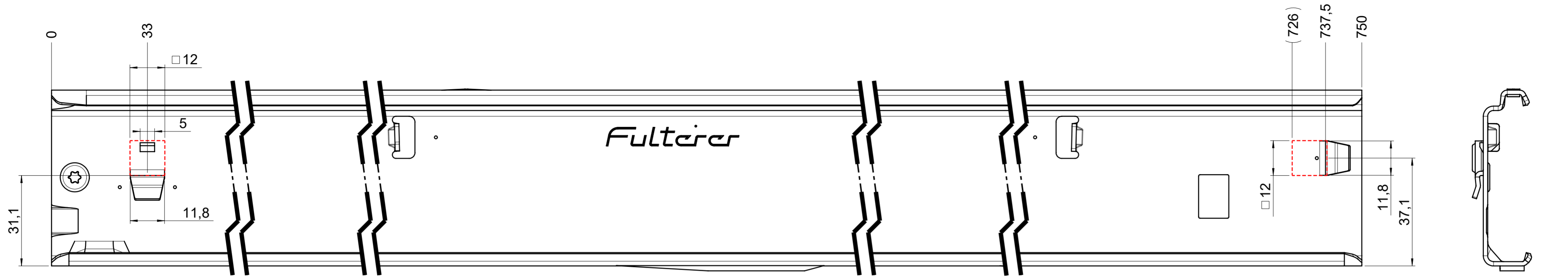
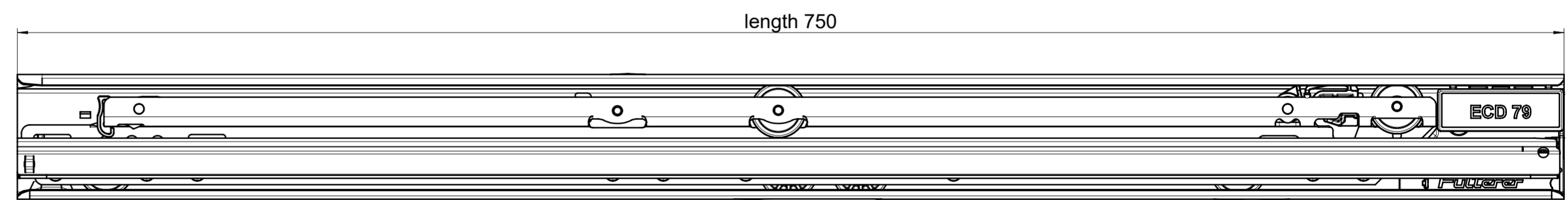
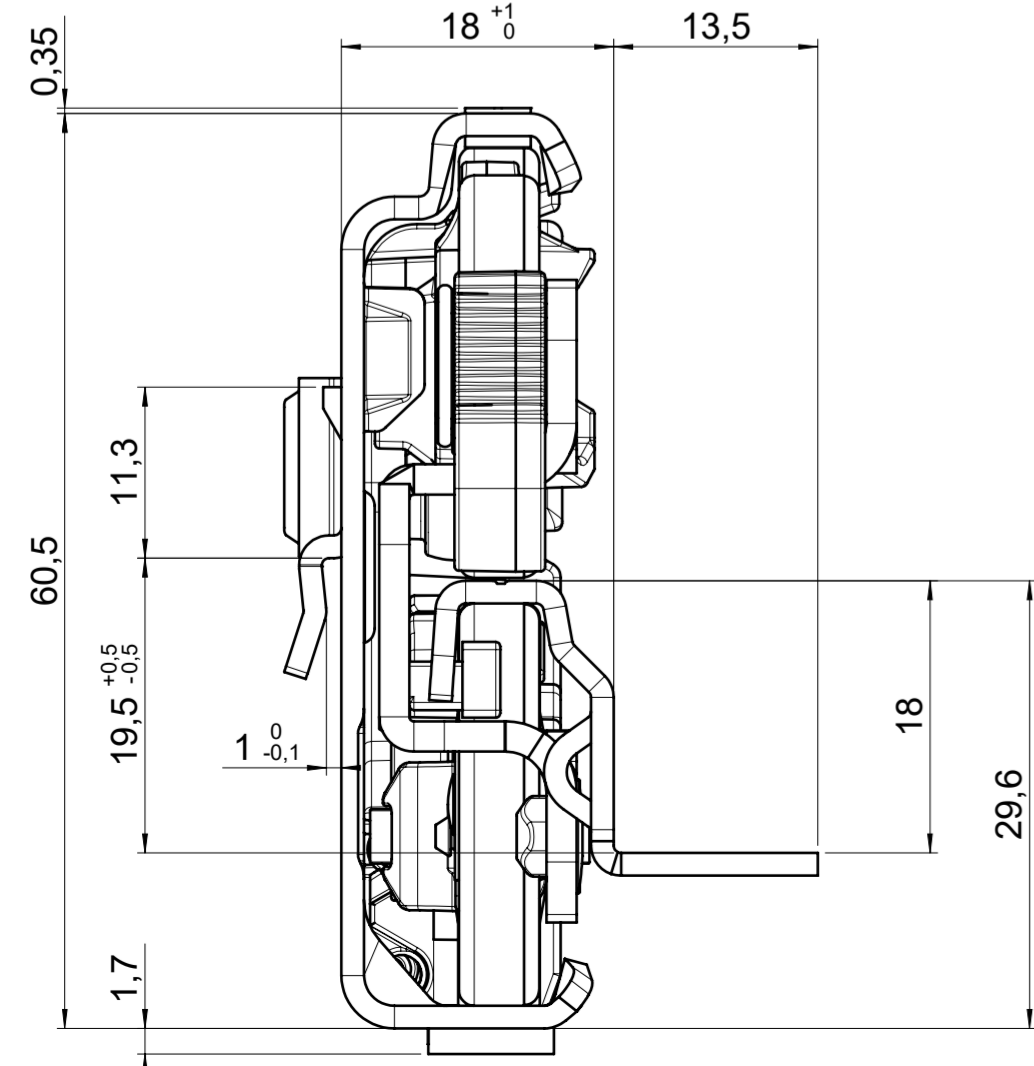


drawn on the left (mirrored on the right)



as an option you can retrofit the ECD




final approval

customer name:

signed by:

date:

all dimensions in mm			
missing dimensions see 3D = theor. intersection	scale: 1:1	surface/color:	material: CS (technical requirements Fulterer)
prototype approval	drawn 2024-01-16 RK	date 2024-01-16 RK	description: FR 796-750 CS EN (mm) progressive-action full-extension drawerslide / bottom mount
	 Fulterer AG & Co KG A-6890 Lustenau Fulterer AG CH-9430 St. Margrethen		
ind. changes	date	name	replaces the edition:
This drawing remains our property and may not be multiplied neither be disclosed to third parties (§§1,3 and 5 from the copyright Act (UrHG)).			covered according to DIN ISO 16016