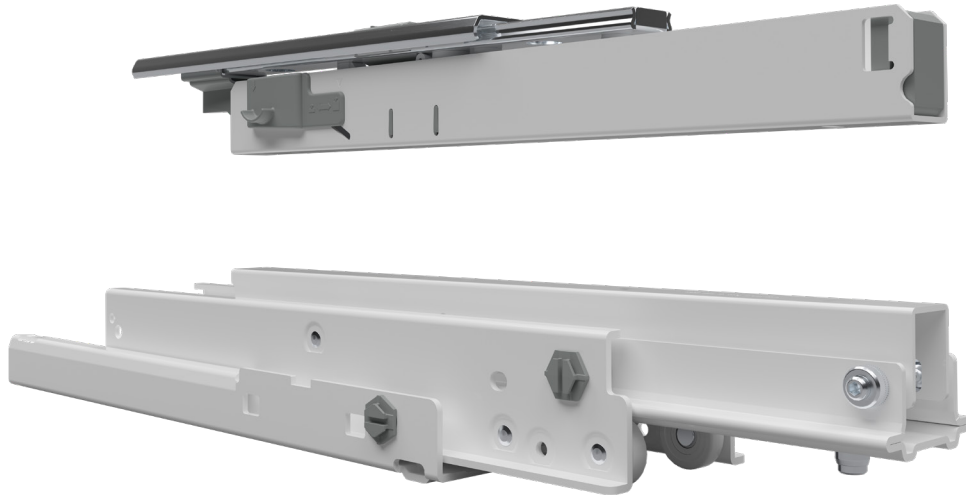







# FR 771A

Full Extension Progressive Action Vertical Pantry Pull-Out Slide System with Top Guide – up to 120 kg / 265 lbs.



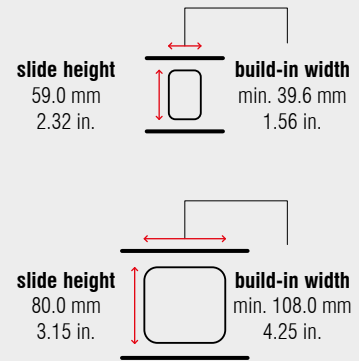
## Specifications

-  floor mount
-  min. 108.0 mm / 4.25 in.  
min. 135.0 mm / 5.31 in. (ECD)
-  dynamic up to 120 kg / 265 lbs.
-  solid synthetic rollers,  
synthetic encased steel ball bearings
-  steel, powder coated

## Characteristics

- deflection in extended and loaded position maximum 5 mm (0.20 in.)
- quick and easy installation through patented slide-on system
- integrated lateral and height adjustment
- Easy Close Device FR 771A ECD can be ordered optionally; Item No. 7749
- LGA-tested according to DIN 4554 at 50,000 cycles
- recommended maximal cabinet height: 2,000 mm (78.75 in.)
- recommended maximum cabinet width: 500 mm (19.69 in.)

## Dimensions



Length		Extension		Weight		Item No.
				per set		pure white
mm	inch	mm	inch	kg	lbs.	
400	15.75	384	15.12	6.85	15.10	<b>7741</b>
430	16.93	414	16.30	*	*	*
450	17.72	434	17.09	7.52	16.58	<b>7742</b>
480	18.90	464	18.27	*	*	*
500	19.69	484	19.06	8.38	18.47	<b>7743</b>
550	21.65	534	21.02	9.05	19.96	<b>7744</b>
575	22.64	559	22.01	*	*	<b>83187</b>
600	23.62	584	22.99	9.77	21.54	<b>7745</b>
650	25.59	634	24.96	10.44	23.02	<b>7746</b>
700	27.56	684	26.93	11.11	24.50	<b>7747</b>
750	29.53	734	28.90	11.79	25.98	<b>7748</b>

Packing Unit – Sets per Box, all Lengths: 1

\* on request