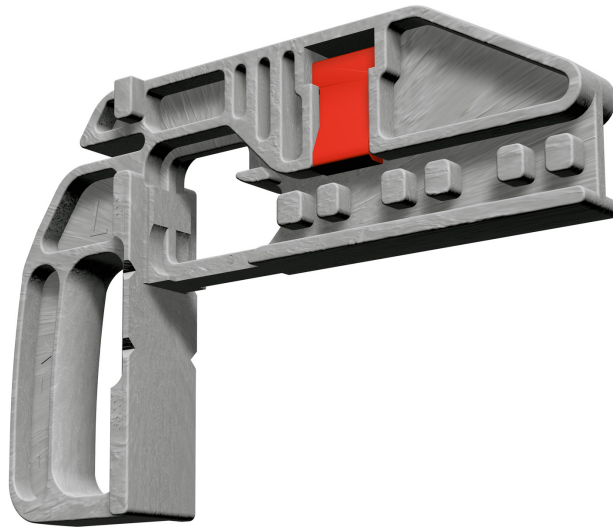



FULFIX II | Mounting Jig

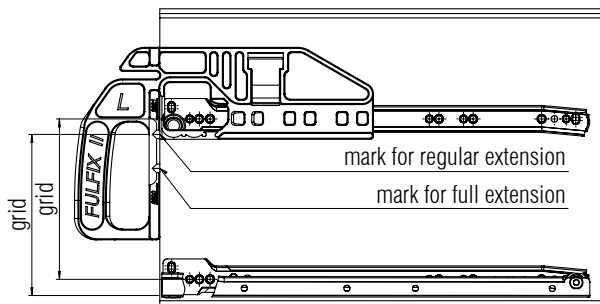
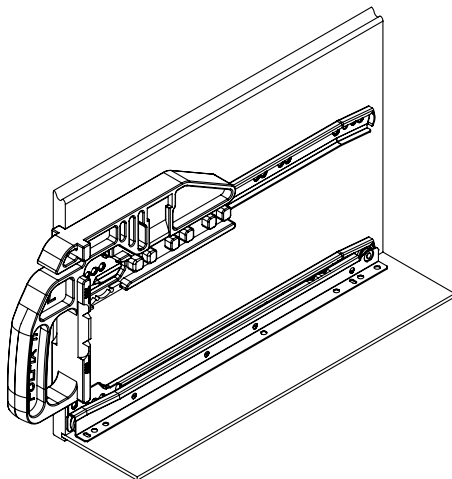


Specifications

-  synthetic material

Characteristics

- suited for the cabinet profiles of FR 2021 and FR 6500
- clamping device assures a perpendicular and square fit onto the cabinet side
- for overlay or insert drawer fronts (19 mm / 0.75 in. setback)



Designation	Weight		Item No.
	kg	lbs.	
FULFIX II	0.34	0.75	3000

Packing Unit – Piece: 1